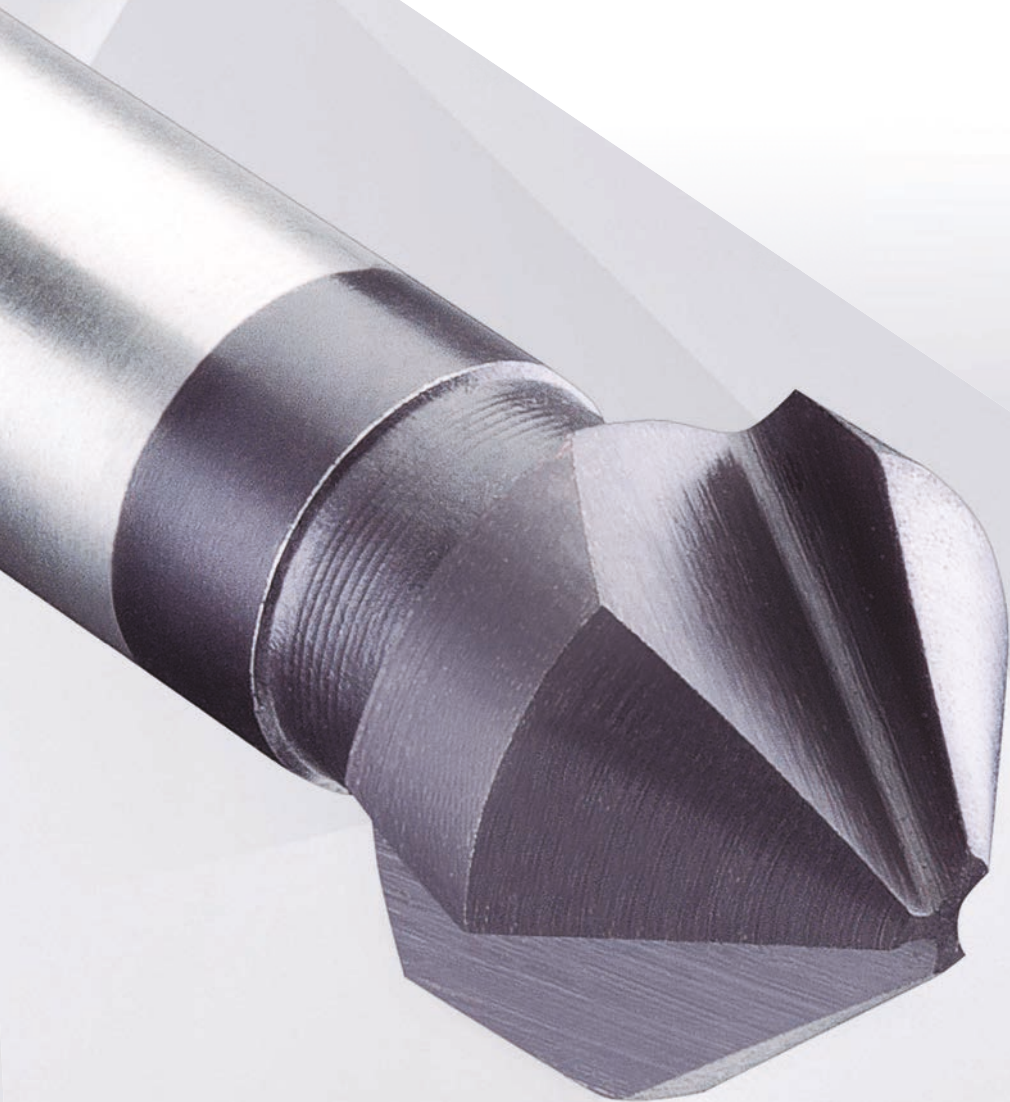


# AVELLANADORES



**BLUE-MASTER<sup>®</sup>**  
*by CELESA*

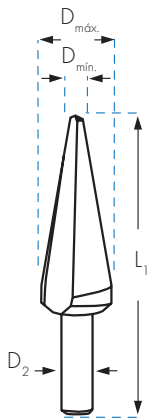
CUTTING TECHNOLOGIES

**BROCAS AVELLANADORAS PARA TUBO Y CHAPA HSS Y HSSCo**
**HSS**

Ref. AV30



118°



BM0    BM1    BM5    BM3    BM4    BM6

AV30

	D mín. mm	D máx. mm	D <sub>2</sub> mm	L <sub>1</sub> mm	HSS	TiN
					€	€
AV30BM0B	3,0	14,0	6,0	58	19,54	39,06
AV30BM8B	3,0	22,5	8,0	85	54,03	97,91
AV30BM5B	3,0	31,0	10,0	102	86,40	129,48
AV30BM9B	5,0	25,4	10,0	87	61,44	117,37
AV30BM1B	6,0	20,0	8,0	63	27,57	57,00
AV30BM2B	16,0	30,0	10,0	79	53,33	94,32
AV30BM3B	26,0	40,0	13,0	86	110,34	172,79
AV30BM4	36,0	50,0	13,0	89	162,52	250,70
AV30BM6	40,0	61,0	13,0	98	269,24	419,29

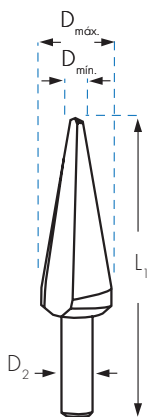
\* Las referencias acabadas en B, se suministran en blíster.

**HSSCo**

Ref. AVC30



118°



BM0    BM1    BM2    BM3

AVC30

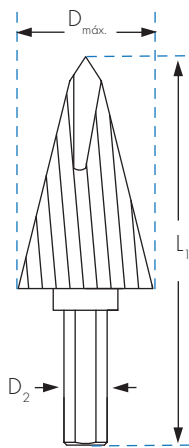
	D mín. mm	D máx. mm	D <sub>2</sub> mm	L <sub>1</sub> mm	HSSCo	TiN
					€	€
AVC30BM0B	3,0	14,0	6,0	58	36,17	47,25
AVC30BM1B	6,0	20,0	8,0	63	47,96	72,84
AVC30BM2B	16,0	30,0	10,0	79	79,14	105,51
AVC30BM3B	26,0	40,0	13,0	86	205,91	222,21

BROCAS AVELLANADORAS PARA CHAPA HSS CARACTERISTICAS ESPECIALES

HSS

Ref. AG

Broca-avellanadora para cortar tubo y chapa de acero y aleaciones ligeras, materiales plásticos. Indicado hasta 5 mm de profundidad.



FRESA PARA TUBO Y CHAPA

	D máx. mm	D <sub>2</sub> mm	L <sub>1</sub> mm	Nº dientes	AG HSS €
AG2500	25,0	8,0	72	20	27,59
AG3200	32,0	10,0	81	30	41,43
AG4500	45,0	10,0	94	36	68,43

HSS

Ref. AV31

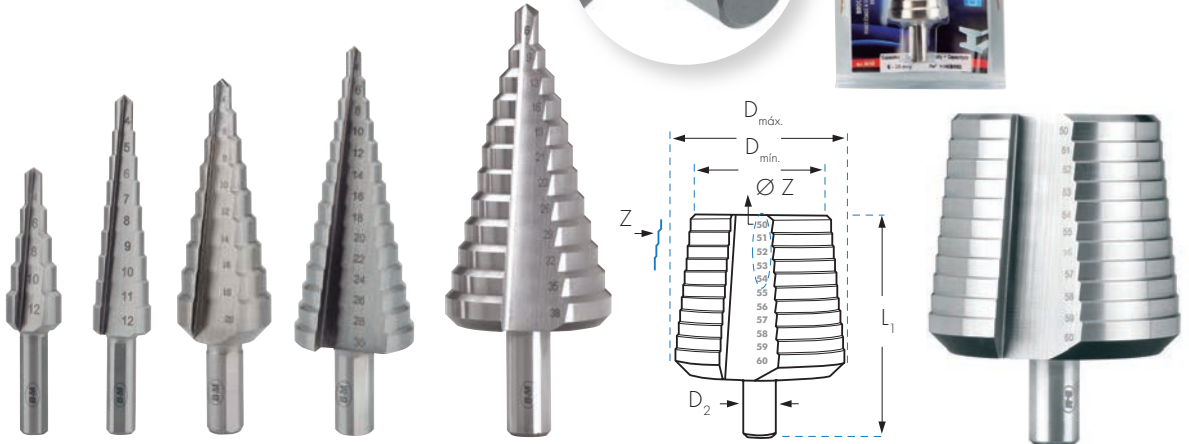
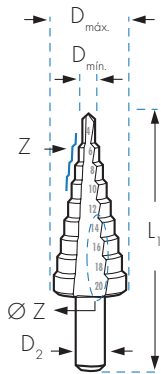


TOPE DE PROFUNDIDAD

	D mín. mm	D máx. mm	D <sub>2</sub> mm	L <sub>1</sub> mm	AV31 HSS €	TiN €
AV31BM0B	3,0	7,8	6,0	48	31,32	47,40
AV31BM1B	3,0	10,2	6,0	52	41,13	64,48
AV31BM2B	3,0	11,8	6,0	56	45,77	80,88

**BROCAS ESCALONADAS DE CANALES RECTOS HSS**
**HSS**


Ref. AV40



BM1

BM2

BM3

BM4

BM5

Ref. AV40BM25 / 26 / 27 / 28 / 29

AV40

	D min. mm	D max. mm	D <sub>2</sub> mm	L <sub>1</sub> mm	Z	Ø Z mm menor-mayor	HSS €	TiN €
AV40BM1B	4,0	12,0	6,0	65	5	4-6-8-10-12	40,72	62,38
AV40BM2B	4,0	12,0	6,0	65	9	4-5-6-7-8-9-10-11-12	40,55	62,74
AV40BM3B	4,0	20,0	8,0	69	9	4-6-8-10-12-14-16-18-20	51,99	80,08
AV40BM4B	4,0	30,0	10,0	96	14	4-6-8-10-12-14-16-18-20-22-24-26-28-30	85,28	130,00
AV40BM14	4,0	39,0	10,0	107	13	4-6-9-12-15-18-21-24-27-30-33-36-39	211,59	326,75
AV40BM16B	5,0	28,0	10,0	69	7	5-8,8-11,8-15,3-19-24,5-28	98,15	154,46
AV40BM35B	5,0	35,0	13,0	80	13	5-7-10-12-15-17-20-22-25-27-30-32-35	127,06	184,74
AV40BM11B	6,0	25,0	10,0	65	7	6-9-12-16-20-22,50-25	80,15	114,77
AV40BM10B	6,0	26,7	10,0	75	8	6-9-11,40-14-17,25-19-21,25-26,75	156,05	245,56
AV40BM17B	6,0	30,5	10,0	80	9	6-9-12,5-15,2-18,6-20,4-22,5-28,3-30,5	165,68	260,71
AV40BM12B	6,0	32,0	10,0	75	9	6-9-12-16-20-22,5-25-28,5-32	113,12	154,64
AV40BM18B	6,0	37,0	10,0	100	12	6-9-12,5-15,2-18,6-20,4-22,5-26-28,3-30,5-34-37	184,13	285,40
AV40BM5B	6,0	38,0	10,0	96	12	6-9-13-16-19-21-23-26-29-32-35-38	198,66	284,04
AV40BM13	6,0	40,0	13,0	105	16	6-11-17-23-29-30-31-32-33-34-35-36-37-38-39-40	273,95	336,61
AV40BM15B	6,5	32,5	10,0	79	9	6,50-8,50-10,50-12,50-16,50-20,50-25,50-29-32,50	130,97	183,55
AV40BM20	6,5	40,5	10,0	96	11	6,50-8,50-10,50-12,50-16,50-20,50-25,50-29-32,50-36,50-40,50	205,33	323,12
AV40BM21B	7,0	20,0	10,0	80	12	7-10-11-12-13-14-15-16-17-18-19-20	82,16	129,28
AV40BM22B	10,0	30,0	13,0	83	12	10-20-21-22-23-24-25-26-27-28-29-30	128,60	201,76
AV40BM25B	12,0	20,0	8,0	66	9	12-13-14-15-16-17-18-19-20	76,17	101,95
AV40BM26B	20,0	30,0	10,0	78	11	20-21-22-23-24-25-26-27-28-29-30	111,12	156,53
AV40BM27	30,0	40,0	10,0	78	11	30-31-32-33-34-35-36-37-38-39-40	166,43	214,27
AV40BM28	40,0	50,0	13,0	85	11	40-41-42-43-44-45-46-47-48-49-50	237,92	331,60
AV40BM29	50,0	60,0	13,0	85	11	50-51-52-53-54-55-56-57-58-59-60	299,78	372,38

**PARA PASAR TUBERÍAS ROSCA GAS**

AV40BM6B	6,0	32,0	10,0	75	8	6-9-11,20(1/8)-14,50(1/4)-18,20(3/8)-22,30(1/2)-27,90(3/4)-32	117,36	160,88
----------	-----	------	------	----	---	---	--------	--------

**PARA REMACHES CIEGOS M3 - M4 - M5 - M6 Y M7**

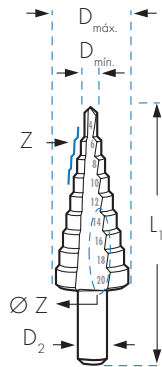
AV40BM7B	4,8	10,6	6,0	54	5	4,80-6,40-7,20-9,60-10,65	38,24	54,56
----------	-----	------	-----	----	---	---------------------------	-------	-------

**PARA CONDUCCIONES ELÉCTRICAS (ANTIGUA Y NUEVA NORMA)**

AV40PG21B	PG7	PG21	13,0	70	11	6,5-8,5-10,5-12,5(PG7)-15,2(PG9)-18,6(PG11) 20,4(PG13,5)-22,5(PG16)-25,5-18,3(PG21)-30,5	129,23	182,70
AV40PG29B	PG7	PG29	13,0	81	14	6,5-9-11-12,5(PG7)-15,2(PG9)-18,6(PG11)-20,4(PG13,5) 22,5(PG16)-26-28,3(PG21)-30,5-33-35-37(PG29)	166,95	234,20
AV40BM8B	8,5	32,5	10,0	70	12	8,5-10,5-12,5-14,5-16,5-18,5-20,5-23,5-25,5 28-30,5-32,5	97,97	150,64
AV40BM9B	8,5	40,5	12,0	84	16	8,5-10,5-12,5-14,5-16,5-18,5-20,5-23,5-25,5 28-30,5-32,5-34,5-36,5-38,5-40,5	143,69	224,93

**BROCAS ESCALONADAS DE CANALES RECTOS HSSCo**

**HSSCo** **INOX** Ref. AVC40

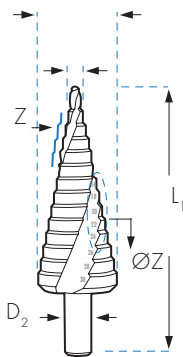


BM1 BM2 BM3 BM4 BM18

								AVC40	
	D mín. mm	D máx. mm	D <sub>2</sub> mm	L <sub>1</sub> mm	Z	Ø Z mm menor-mayor	HSSCo €	TiN €	
AVC40BM1B	4,0	12,0	6,0	65	5	4-6-8-10-12	62,60	90,33	
AVC40BM2B	4,0	12,0	6,0	65	9	4-5-6-7-8-9-10-11-12	66,10	109,10	
AVC40BM3B	4,0	20,0	8,0	69	9	4-6-8-10-12-14-16-18-20	99,91	123,61	
AVC40BM4B	4,0	30,0	10,0	96	14	4-6-8-10-12-14-16-18-20-22-24-26-28-30	143,70	193,77	
AVC40BM18B	6,0	37,0	10,0	100	12	6-9-12,5-15,2-18,6-20,4-22,5-26-28,3-30,5-34-37	257,43	325,55	

**BROCAS ESCALONADAS DE CANALES HELICOIDALES HSS**


**HSS** Ref. AV42



BM2 BM3 BM4

								AV42	
	D mín. mm	D máx. mm	D <sub>2</sub> mm	L <sub>1</sub> mm	Z	Ø Z mm menor-mayor	HSS €	TiN €	
AV42BM1B	4,0	12,0	6,0	65	5	4-6-8-10-12	53,78	72,73	
AV42BM2B	4,0	12,0	6,0	68	9	4-5-6-7-8-9-10-11-12	55,63	75,74	
AV42BM3B	4,0	20,0	8,0	69	9	4-6-8-10-12-14-16-18-20	74,20	105,89	
AV42BM4B	4,0	30,0	10,0	96	14	4-6-8-10-12-14-16-18-20-22-24-26-28-30	118,03	168,58	
AV42BM5B	6,0	38,0	10,0	96	12	6-9-13-16-19-21-23-26-29-32-35-38	230,22	300,73	
AV42BM11B	6,0	25,0	10,0	65	7	6-9-12-16-20-22,50-25	95,53	124,20	
AV42BM12B	6,0	32,0	10,0	75	9	6-9-12-16-20-22,5-25-28,5-32	124,60	156,30	
AV42BM13	6,0	40,0	13,0	105	16	6-11-17-23-29-30-31-32-33-34-35-36-37-38-39-40	275,03	355,09	
AV42BM8B	8,5	32,5	10,0	70	12	8,5-10,5-12,5-14,5-16,5-18,5-20,5-23,5 25,5-28-30,5-32,5	125,76	162,53	
AV42BM9B	8,5	40,5	12,0	84	16	8,5-10,5-12,5-14,5-16,5-18,5-20,5-23,5 25,5-28-30,5-32,5-34,5-36,5-38,5-40,5	197,76	240,53	

**BROCAS ESCALONADAS HSS CARACTERÍSTICAS ESPECIALES**
**HSS**
**MANGO HEXAGONAL 1/4"**

	D mín. mm	D máx. mm		L <sub>1</sub> mm	Z	Ø Z mm menor-mayor	AV41	
							HSS €	TiN €
AV41BM2B	4,0	12,0	1/4"	72	9	4-5-6-7-8-9-10-11-12	89,48	110,95
AV41BM3B	4,0	20,0	1/4"	81	9	4-6-8-10-12-14-16-18-20	118,29	146,71
AV41BM4B	4,0	30,0	1/4"	105	14	4-6-8-10-12-14-16-18-20-22-24-26-28-30	140,21	168,90



Ref. AV41BM2B

**SERIE CORTA Máximo 2 mm de espesor**

	D mín. mm	D máx. mm	D <sub>2</sub> mm	L <sub>1</sub> mm	Z	Ø Z mm menor-mayor	AV41C	
							HSS €	TiN €
AV41CBM2B	4,0	12,0	6,0	48	9	4-5-6-7-8-9-10-11-12	63,67	85,46
AV41CBM3B	4,0	20,0	8,0	58	9	4-6-8-10-12-14-16-18-20	79,05	110,45
AV41CBM4B	4,0	30,0	10,0	72	14	4-6-8-10-12-14-16-18-20-22-24-26-28-30	128,87	198,42



Ref. AV41CBM3B

**ATORNILLAMIENTOS MÉTRICOS DE CABLE**

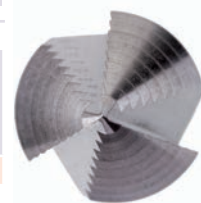
	DIN	D mín. mm	D máx. mm	D <sub>2</sub> mm	L <sub>1</sub> mm	Z	Ø Z mm menor-mayor	AV45	
								HSS €	TiN €
AV45BM0B	60423	5,3	30,5	10,0	79	9	5,3-7-9-10,5-14,5-18,5-23,5-27-30,5	175,67	226,53
AV45BM2B	60423	5,3	38,5	10,0	96	11	5,3-7-9-10,5-14,5-18,5-23,5-27-30,5-34,5-38,5	211,25	266,90



Ref. AV45BM2B

**ESCALONADA RECTA CON 3 CORTES**

	D mín. mm	D máx. mm	D <sub>2</sub> mm	L <sub>1</sub> mm	Z	Ø Z mm menor-mayor	AV43	
							HSS €	TiN €
AV43BM1B	4,0	12,0	6,0	65	9	4-5-6-7-8-9-10-11-12	76,74	100,41
AV43BM2B	4,0	20,0	8,0	75	9	4-6-8-10-12-14-16-18-20	105,21	163,02
AV43BM3B	4,0	30,0	10,0	100	14	4-6-8-10-12-14-16-18-20-22-24-26-28-30	154,68	252,99



Ref. AV43BM3B

**BROCA ESCALONADA CON BROCA GUÍA INTERCAMBIABLE**

	D mín. mm	D máx. mm	D <sub>2</sub> mm	L <sub>1</sub> mm	Z	Ø Z mm menor-mayor	AV4	
							HSS €	
AV4BM3040	30,0	40,0	13,0	76	11	30-31-32-33-34-35-36-37-38-39-40	161,00	
AV4BM4050	40,0	50,0	13,0	76	11	40-41-42-43-44-45-46-47-48-49-50	232,54	
AV4BM5060	50,0	60,0	13,0	76	11	50-51-52-53-54-55-56-57-58-59-60	295,19	

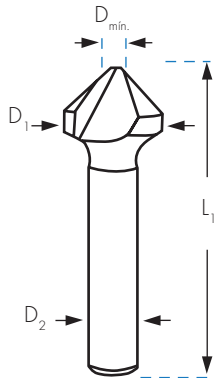


Ref. AV4BM3040

**BROCA GUÍA**

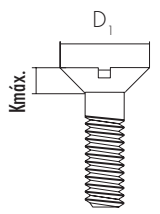

		BAV4BM
		€
BAV4BM	DESCRIPCIÓN	
	10X35mm	10,42

AVELLANADORES DE 3 CANALES



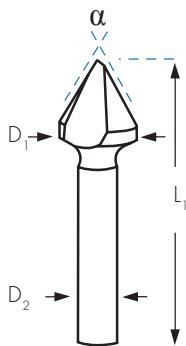
				AV6	AV16	AV37	AV7	AV38	AV99	AV6MD	AV15	
MATERIAL				HSS	HSS	HSS	HSSCo	HSSCo	HSSCo	MD	HSS	
ACABADO					TiN	TiAlN		TiAlSiN	TiAlN			
APLICACIÓN				USO GENERAL	USO GENERAL	USO GENERAL	USO GENERAL INOX	INOX Plus	INOX SpheroPlus Al	HARDOX 450		
D1 mm	D min. mm	D2 mm	L1 mm	€	€	€	€	€	€	€	L1 mm	€
4,30	1,3	4,0	40	17,53	32,38	38,12	19,50	46,57		65,77		
5,00	1,5	4,0	40	17,53	32,38	38,12	19,50	46,57				
5,30	1,5	4,0	40	17,53	32,38	38,12	19,50	46,57		63,32		
5,80	1,5	5,0	45	13,31	28,45	35,78	15,87	40,77				
6,00	1,5	5,0	45	12,69	27,83	35,78	15,25	40,27		65,43		
6,30	1,5	5,0	45	12,46	27,83	35,78	14,97	40,05	40,49	70,74		
7,00	1,8	6,0	50	17,53	37,15	47,72	19,50	54,16				
7,30	1,8	6,0	50	17,53	37,15	47,72	19,50	54,16				
8,00	2,0	6,0	50	17,53	37,15	47,72	19,71	54,31		75,36		
8,30	2,0	6,0	50	17,27	37,15	47,72	19,35	54,01	54,61	80,37		
9,40	2,2	6,0	50	20,44	41,92	53,47	22,81	61,48				
10,00	2,5	6,0	50	20,44	41,92	53,47	22,81	61,48		83,07		
10,40	2,5	6,0	50	20,07	41,92	53,47	23,29	61,31	61,99	87,66	112	62,39
11,50	2,8	8,0	56	20,54	44,41	57,49	24,89	66,64				
12,00	2,8	8,0	56	20,54	44,41	57,49	24,89	66,65				
12,40	2,8	8,0	56	20,54	44,41	57,49	24,88	66,65	67,39	91,41	112	76,81
13,40	2,9	8,0	56	22,21	45,88	59,38	27,15	69,80				
15,00	3,2	10,0	60	28,20	61,65	81,30	34,57	93,39		95,20		
16,50	3,2	10,0	60	27,73	63,31	81,30	34,10	92,97	94,01	100,11	120	92,56
19,00	3,5	10,0	63	41,53	77,24	98,66	51,13	113,54				
20,50	3,5	10,0	63	40,82	78,89	101,63	50,20	114,99	116,26	138,81	124	124,06
23,00	3,8	10,0	67	51,05	89,87	113,73	62,31	133,53				
25,00	3,8	10,0	67	51,51	91,14	114,91	63,42	135,31	136,81	226,50	128	149,62
28,00	4,0	12,0	71	71,93	115,85	148,70	90,57	181,84				
30,00	4,2	12,0	71	76,44	120,20	193,78	95,79	219,29				
31,00	4,2	12,0	71	79,57	124,59	208,09	95,79	214,54		255,58	133	175,27
40,00	6,5	13,0	80	118,32	190,15	244,66	149,54	267,75		443,75*		

\* Mango de 16 mm

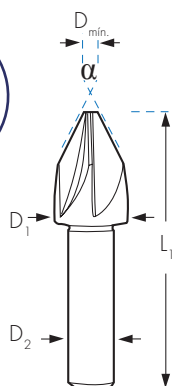


DIMENSIONES TORNILLO CABEZA CÓNICA 90°

	M2	M2.5	M3	M4	M5	M6	M8	M10	M12	M14	M16	M18	M20
Kmáx.	1,2	1,5	1,7	2,3	2,8	3,3	4,4	5,5	6,5	7	7,5	8	8,5
D1	4	5	6	8	10	12	16	20	24	27	30	33	36

**AVELLANADORES HSS MANGO CILÍNDRICO 60°, 75°, 120°**
**3Z**


				AV8		AV9		AV10	
MATERIAL				HSS		HSS		HSS	
NORMA				DIN 334C		NORMA CELESA		NORMA CELESA	
ÁNGULO DE PUNTA				60°		75°		120°	
D <sub>1</sub> mm	D <sub>mín</sub> mm	D <sub>2</sub> mm	L <sub>1</sub> mm	€		€		€	
6,30	1,5	5,0	45	AV80630	20,06	AV90630	15,44	AV100630	16,44
8,00	2,0	6,0	50	AV80800	22,05				
8,30	2,0	6,0	50			AV90830	21,05	AV100830	22,65
10,00	2,5	6,0	50	AV81000	24,05				
10,40	2,5	6,0	50			AV91040	24,87	AV101040	26,47
12,40	2,8	8,0	56	AV81250	26,67	AV91240	27,48	AV101240	31,69
16,50	3,2	10,0	60	AV81600	34,11	AV91650	34,47	AV101650	40,10
20,50	3,5	10,0	63	AV82000	48,14	AV92050	50,74	AV102050	59,16
25,00	3,8	10,0	67	AV82500	67,18	AV92500	63,96	AV102500	74,61
40,00	6,5	13,0	67	AV84000	154,34	AV94000	139,16	AV104000	163,99

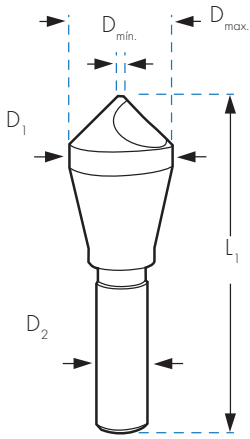
**AVELLANADORES MULTICORTE MANGO CILÍNDRICO 60°, 90° Y 120°**
**5Z**


				AV12		AV11		AV13				
MATERIAL				HSS		HSS		HSS				
DIN				DIN 334A		DIN 335A		DIN 347A				
ÁNGULO DE PUNTA				60°		90°		120°				
D <sub>1</sub> mm	D <sub>mín</sub> mm	D <sub>2</sub> mm	Nº Z	L <sub>1</sub> mm	€	L <sub>1</sub> mm	€	L <sub>1</sub> mm	€			
8,00	2,5	8,0	5	AV120800	48	17,53	AV110800	44	13,18	AV130800	44	17,47
12,50	2,8	8,0	5	AV121250	52	24,53	AV111250	48	19,31	AV131250	48	25,65
16,00	3,0	10,0	5	AV121600	60	41,16	AV111600	56	32,42	AV131600	56	43,03
20,00	3,5	10,0	5	AV122000	64	53,09	AV112000	60	41,76	AV132000	60	55,48
25,00	3,5	10,0	5	AV122500	69	74,31	AV112500	65	58,46	AV132500*	65	75,47

\* D<sub>2</sub>: 12,00 mm



AVELLANADORES HSS Y HSSCo PARA DESBARBAR CON AGUJERO



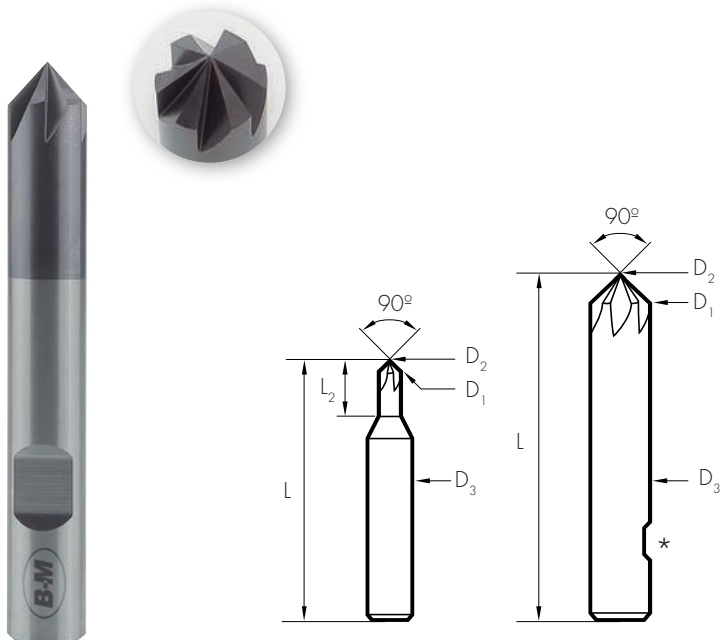
MATERIAL					AV1	AV1T	AV2	AV2T	AV1-60
ACABADO					HSS	HSS	HSSCo	HSSCo	HSS
ÁNGULO DE PUNTA									
D1 mm	Dmin mm	Dmax mm	D2 mm	L1 mm	€	€	€	€	€
6,35	2,0	5,0	6,35	45	AV100 14,31	AV100T 25,85	AV200 24,32	AV200T 40,91	AV100-60 25,63
10,00	2,0	5,0	6,00	45	AV101 17,64	AV101T 27,04	AV201 25,12	AV201T 40,91	AV101-60 32,02
14,00	6,0	13,0	8,00	50	AV102 22,04	AV102T 38,01	AV202 29,25	AV202T 51,01	AV102-60 38,87
20,00	8,0	18,0	10,00	65	AV103 39,46	AV103T 67,96	AV203 52,29	AV203T 86,34	AV103-60 44,34
27,00	11,0	25,0	12,00	85	AV104 70,52	AV104T 111,72	AV204 85,20	AV204T 136,02	AV104-60 77,25
30,00	12,0	28,0	15,00	95	AV105 119,02	AV105T 212,01	AV205 135,37	AV205T 233,72	AV105-60 126,60
35,00	14,0	33,0	15,00	100	AV106 182,80	AV106T 290,30	AV206 226,81	AV206T 393,05	AV106-60 200,63
40,00	16,0	38,0	15,00	110	AV107 252,39	AV107T 412,58	AV207 260,96	AV207T 421,11	AV107-60 271,91
45,00	18,0	42,0	15,00	120	AV108 334,41	AV108T 501,09	AV208 392,18	AV208T 558,65	AV108-60 351,42
50,00	20,0	48,0	15,00	130	AV109 403,49	AV109T 582,58	AV209 522,70	AV209T 701,38	AV109-60 428,19

AVELLANADOR CÓNICO 90° MULTILABIO

Ref. FC

**TiAlN** MD

D1 mm	D2 mm	L mm	L2 mm	D3 mm	Z	FC	€
0,5	0,1	39,0	3,0	3,0	3	FC0050	63,95
0,6	0,1	39,0	3,0	3,0	3	FC0060	63,95
0,7	0,1	39,0	3,0	3,0	3	FC0070	63,95
0,8	0,1	39,0	3,0	3,0	3	FC0080	63,95
0,9	0,1	39,0	3,0	3,0	3	FC0090	63,95
1,0	0,1	39,0	3,0	3,0	3	FC0100	61,74
1,5	0,1	39,0	4,5	3,0	3	FC0150	61,74
2,0	0,1	39,0	6,0	3,0	3	FC0200	61,74
2,5	0,1	39,0	7,5	3,0	3	FC0250	61,74
3,0	0,1	39,0	-	3,0	3	FC0300	61,74
4,0	0,8	54,0	-	4,0	4	FC0400	63,95
6,0	0,8	57,0	-	6,0*	4	FC0600	67,25
8,0	0,8	63,0	-	8,0*	5	FC0800	73,87
10,00	1,0	72,0	-	10,0*	6	FC1000	88,20
12,00	1,2	83,0	-	12,0*	6	FC1200	130,10
16,00	1,6	92,0	-	16,0*	6	FC1600	232,63
20,00	2,0	104,0	-	20,0*	6	FC2000	425,56



\*Con plano de arrastre

**AVELLANADORES CON MANGO CÓNICO**
**3Z**

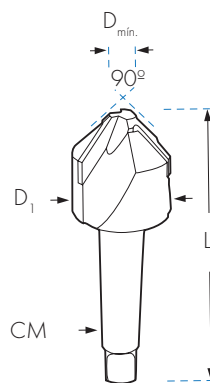
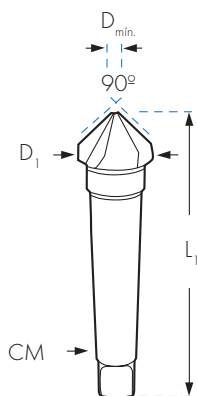
Ref. AV17

**DIN  
335D**
**HSS**

**90°**

Ref. AV17MD

**DIN  
335D**
**MD**

**90°**


AV17

D1 mm	D mín. mm	L1 mm	CM	€
16,50	4,0	90	1	84,05
20,50	3,5	100	2	99,09
25,00	3,8	106	2	100,11
31,00	4,2	112	2	111,43
40,00	10,0	140	3	171,48
50,00	14,0	150	3	215,86
63,00	16,0	180	4	349,02
80,00	22,0	190	4	597,18
100,00	25,0	210	4	1.539,10

AV17MD

D1 mm	D mín. mm	L1 mm	CM	€
63,00	16,0	190	4	1.460,79*
80,00	22,0	190	4	1.783,34*

\*Hasta fin de existencias

**AVELLANADORES MULTICORTE CON MANGO CÓNICO**
**MULTI  
CORTE**

Ref. AV23

**DIN  
334B**

**60°**

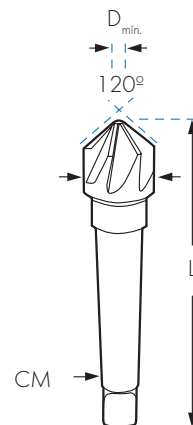
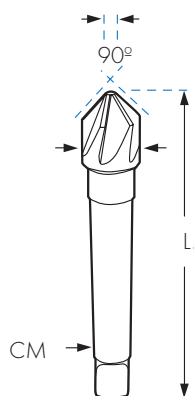
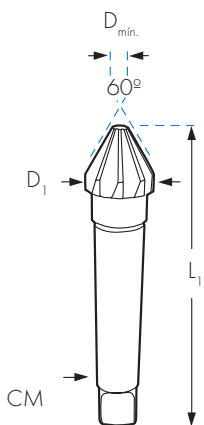
Ref. AV18

**DIN  
335B**

**90°**

Ref. AV24

**DIN  
347B**

**120°**


AV23

D1 mm	D mín. mm	L1 mm	CM	Z	HSS €
16,00	3,2	93	1	7	63,77
20,00	4,0	116	2	7	74,65
25,00	7,0	121	2	9	81,77
31,50	9,0	124	2	9	111,81
40,00	12,5	150	3	11	204,63
50,00	16,0	153	3	13	244,61
63,00	20,0	185	4	15	374,47
80,00	25,0	196	4	17	578,74
100,00	22,0	230	4	3	1.823,64

AV18


D1 mm	D mín. mm	L1 mm	CM	Z	HSS €
16,00	3,2	93	1	7	65,04
20,00	4,0	116	2	7	76,06
25,00	7,0	121	2	9	83,41
31,50	9,0	124	2	9	114,08
40,00	12,5	150	3	11	208,77
50,00	16,0	153	3	13	249,44
63,00	20,0	185	4	15	358,12
80,00	25,0	196	4	17	590,36
100,00	22,0	190	4	20	1.591,39

AV24

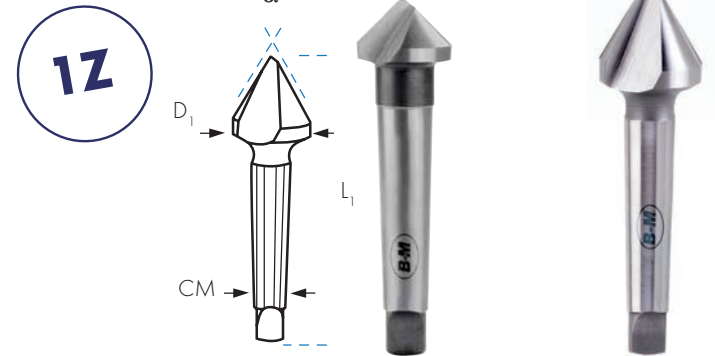
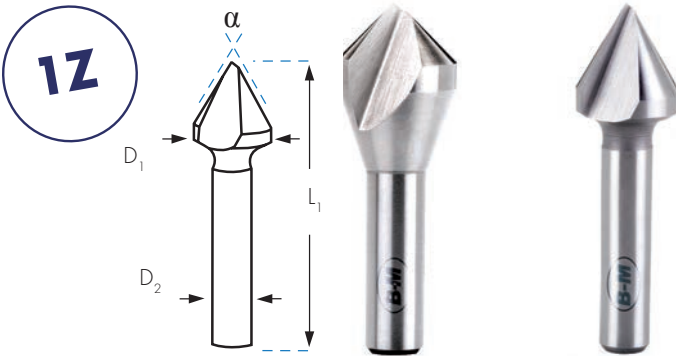
D1 mm	D mín. mm	L1 mm	CM	Z	HSS €
16,00	3,2	93	1	7	66,23
20,00	4,0	116	2	7	77,51
25,00	7,0	121	2	9	89,02
31,50	9,0	124	2	9	116,13
40,00	12,5	150	3	11	184,91
50,00	16,0	153	3	13	238,84
63,00	20,0	185	4	15	388,86
80,00	25,0	196	4	17	601,00
100,00	27,0	210	4	3	1.577,33

AVELLANADORES DE 1 CANAL

**HSS** MANGO CILÍNDRICO  
Ref. AV27  
Ref. AV29



**HSS** MANGO CÓNICO  
Ref. AV34  
Ref. AV28

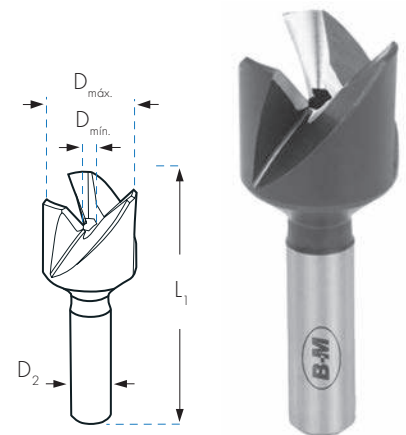
	D1 mm	D2 mm	L1 mm	90° €	60° €
AV270600	6,0	5,0	45	13,77	AV290600 25,40
AV270800	8,0	8,0	50	14,54	AV290800 26,60
AV271000	10,0	8,0	50	15,41	AV291000 27,85
AV271200	12,0	8,0	50	17,94	AV291200 31,29
AV271600	16,0	10,0	56	21,37	AV291600 38,10
AV272000	20,0	10,0	60	29,20	AV292000 48,97
AV272500	25,0	10,0	75	38,47	AV292500 77,11
AV273000	30,0	12,0	80	55,49	AV293000 100,70
AV274000	40,0	13,0	89	144,59	AV294000 175,04
AV275000	50,0	13,0	98	178,51	AV295000 261,50

	D1 mm	CM	L1 mm	90° €	60° €
AV341600	16,0	1	92	66,20	AV281600 63,34
AV342000	20,0	2	107	82,97	AV282000 69,39
AV342500	25,0	2	110	106,84	AV282500 102,88
AV343000	30,0	2	114	121,41	AV283000 135,57
AV344000	40,0	3	145	195,35	AV284000 178,50
AV345000	50,0	3	152	285,25	AV285000 271,08

AVELLANADORES EXTERNOS DE 3 CORTES

**3Z** **HSS** Ref. AVX **90°** Ref. AVX-60 **HSS** **60°**

AVX						AVX-60					
Dmáx. mm	Dmín. mm	D2 mm	L1 mm		€	Dmáx. mm	Dmín. mm	D2 mm	L1 mm		€
12,00	4,0	8,0	55	AVX1	57,62	8,00	3,0	8,0	55	AVX1-60	61,55
20,00	8,0	10,0	60	AVX2	107,34	15,00	6,0	10,0	60	AVX2-60	118,12
28,00	10,0	13,0	70	AVX3	152,27	28,00	10,0	13,0	75	AVX3-60	177,02
40,00	12,0	CM2	125	AVX4	231,07						
50,00	15,0	CM3	130	AVX5	322,83						



AVELLANADOR EXTERNO PARA REPARACIÓN DE HILOS DE ENTRADA

Ref. AVEXT **HSS** **60°**



Min.-Max.	Hexagon	L1 mm		€
M8-M18	1/4"	75	AVEXT	37,48



**AVELLANADORES PARA ASIENTOS DE TORNILLOS «ALLEN»**

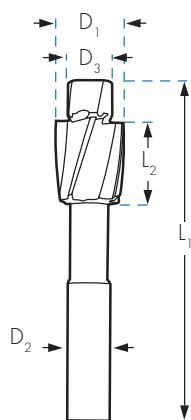
MANGO CILÍNDRICO

**DIN  
373**
**HSS**

Ref. AV2

NOTA: La longitud de corte se entiende sin la guía.

\* El ajuste grueso se utiliza para avellanar agujeros roscados.


 Para avellanar  
 Orificios roscados


AV2M

AV2MM

AV2GM

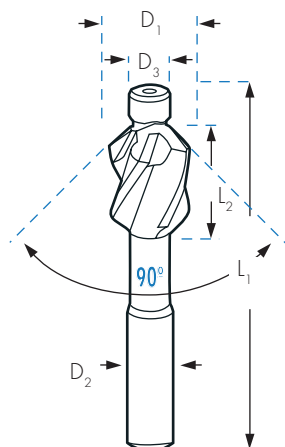
AJUSTE					AV2M		AV2MM		AV2GM				
	D1 mm	D2 mm	L1 mm	L2 mm	D3 mm	FINO €	D3 mm	MEDIO €	D3 mm	AGUJERO ROSCADO €			
M3	6,0	5,0	71	14	AV2M3	3,2	24,84	AV2MM3	3,4	26,89	AV2GM3	2,5	26,89
M4	8,0	5,0	71	14	AV2M4	4,3	24,84	AV2MM4	4,5	26,89	AV2GM4	3,3	26,89
M5	10,0	8,0	80	18	AV2M5	5,3	24,84	AV2MM5	5,5	26,89	AV2GM5	4,2	26,89
M6	11,0	8,0	80	18	AV2M6	6,4	28,00	AV2MM6	6,6	30,31	AV2GM6	5,0	30,31
M7	20,0	12,7	90	20	AV2M7	7,4	51,70						
M8	15,0	12,5	100	22	AV2M8	8,4	34,71	AV2MM8	9,0	37,57	AV2GM8	6,8	37,57
M10	18,0	12,5	100	22	AV2M10	10,5	41,32	AV2MM10	11,0	44,73	AV2GM10	8,5	44,73
M11	22,0	18,8	100	22	AV2M11	11,5	55,00						
M12	20,0	12,5	100	22	AV2M12	13,0	48,20	AV2MM12	14,0	52,18	AV2GM12	10,2	52,18
M14	24,0	12,5	100	22	AV2M14	15,0	75,40	AV2MM14	15,5	81,62	AV2GM14	12,0	81,62
M16	26,0	12,5	100	22	AV2M16	17,0	82,93	AV2MM16	17,5	89,77	AV2GM16	14,0	89,77

CABEZA CÓNICA CON GUÍA

**DIN  
1866**
**HSS**

Ref. AV3

NOTA: La longitud de corte se entiende sin la guía.



AJUSTE					AV3		
	D1 mm	D2 mm	L1 mm	L2 mm	D3 mm	FINO €	
M3	6,3	6,0	71	14,0	AV3M3	3,2	33,98
M4	8,3	8,0	71	14,0	AV3M4	4,3	33,98
M5	10,4	10,0	80	18,0	AV3M5	5,3	33,98
M6	12,4	10,0	80	18,0	AV3M6	6,4	38,61
M8	16,5	12,0	100	22,0	AV3M8	8,4	47,25
M10	20,5	12,0	100	22,0	AV3M10	10,5	51,12
M12	24,5	13,0	110	25,0	AV3M12	13,0	62,31

AVELLANADORES PARA ASIENTOS DE TORNILLOS «ALLEN»

MANGO CÓNICO

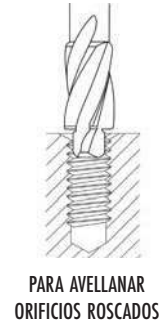
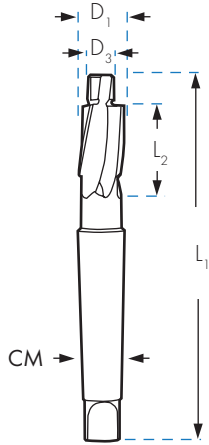
Ref. AV5

DIN  
375

HSS

NOTA: La longitud de corte se entiende sin la guía.

\* El ajuste grueso se utiliza para avellanar agujeros roscados.



AV5M

AV5MM

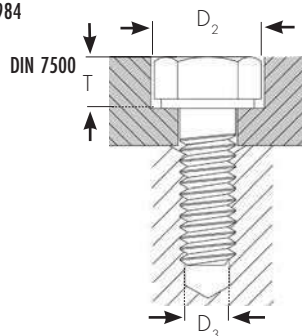
AV5GM

AJUSTE					FINO			MEDIO			AGUJERO ROSCADO		
	D1 mm	CM	L1 mm	L2 mm	D3 mm	€	D3 mm	€	D3 mm	€			
M8	15,0	2	132	22	AV5M8	8,4	67,27	AV5MM8	9,0	67,27	AV5GM8	6,8	67,27
M10	18,0	2	140	25	AV5M10	10,5	69,04	AV5MM10	11,0	69,04	AV5GM10	8,5	69,04
M12	20,0	2	140	25	AV5M12	13,0	76,39	AV5MM12	14,0	76,39	AV5GM12	10,2	76,39
M14	24,0	2	150	30	AV5M14	15,0	106,03	AV5MM14	15,5	106,03	AV5GM14	12,0	106,03
M16	26,0	3	180	35	AV5M16	17,0	124,51	AV5MM16	17,5	124,51	AV5GM16	14,0	124,51
M18	30,0	3	180	35	AV5M18	19,0	134,35	AV5MM18	20,0	134,35	AV5GM18	15,5	134,35
M20	33,0	3	190	40	AV5M20	21,0	146,38	AV5MM20	22,0	146,38	AV5GM20	17,5	146,38
M22	36,0	3	190	40	AV5M22	23,0	178,38	AV5MM22	24,0	178,38	AV5GM22	19,5	178,38
M24	40,0	3	190	40	AV5M24	25,0	215,64	AV5MM24	26,0	215,64	AV5GM24	21,0	215,64
M27	46,0	4	255	50	AV5M27	30,0	245,03						
M30	48,0	4	255	50	AV5M30	33,0	296,43						

APLICACIONES DE LOS TIPOS DE AJUSTES: FINO, MEDIO Y AGUJERO ROSCADO

T1: Tornillos Cabeza Cilíndrica DIN 84 y DIN 7984  
Tornillos Autorroscantes DIN 7513

T2: Tornillos Cabeza Cilíndrica DIN 6912  
T3: Tornillos Cabeza Cilíndrica DIN 912



	FINO	MEDIO	AGUJERO ROSCADO				
ROSCAS MÉTRICAS	D3 mm	D3 mm	D3 mm	D2 mm	T1 mm	T2 mm	T3 mm
M3	3,2	3,4	2,5	6,0	2,4	--	3,4
M4	4,3	4,5	3,3	8,0	3,2	3,4	4,6
M5	5,3	5,5	4,2	10,0	4,0	4,2	5,7
M6	6,4	6,6	5,0	11,0	4,7	4,8	6,8
M8	8,4	9,0	6,8	15,0	6,0	6,0	6,0
M10	10,5	11,0	8,5	18,0	7,0	7,5	11,0
M12	13,0	13,5	10,2	20,0	8,0	8,5	13,0
M14	15,0	15,5	12,0	24,0	9,0	9,5	15,0
M16	17,0	17,5	14,0	26,0	10,5	11,5	17,5
M18	19,0	20,0	15,5	30,0	11,5	12,5	19,5
M20	21,0	22,0	17,5	33,0	12,5	13,5	21,5
M22	23,0	24,0	19,5	36,0	13,5	14,5	23,5

## AVELLANADORES CON ELEMENTOS INTERCAMBIABLES PARA ASIENTOS DE TORNILLOS CON CABEZA "ALLEN" Y CÓNICA



### EL SISTEMA BLUEMASTER

El sistema BLUEMASTER es único para operaciones de cajeado y avellanado, ayudándole a incrementar su productividad y disminuir sus costes.

Nuestros portaherramientas, fresas, brocas y guías pueden combinarse para adaptarlos a todo tipo de máquinas y aplicaciones.

Usted puede componer fácilmente más de 1.500.000 de herramientas especiales con sólo 1.300 piezas.

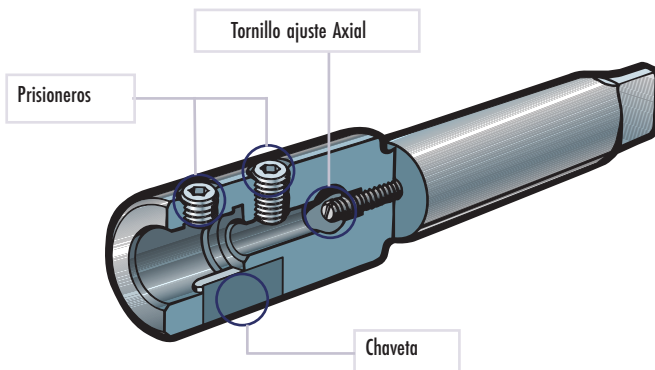
El sistema consta de 3 grupos de dimensiones: **SERIE A, SERIE B y SERIE C.**

Todas las combinaciones tienen que hacerse con elementos que pertenezcan al mismo grupo. Herramientas de distintos grupos no son combinables entre sí.

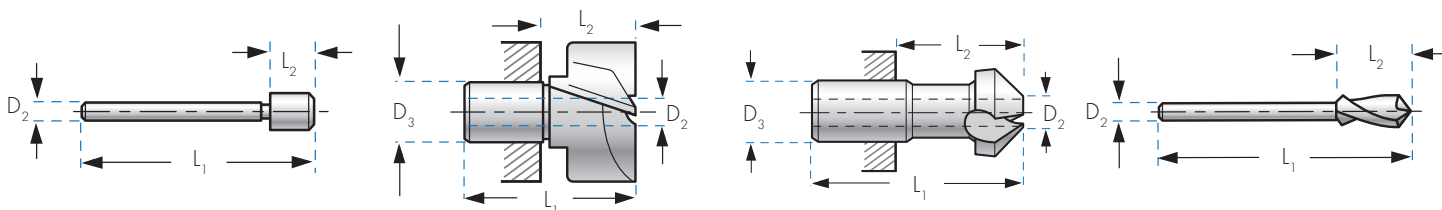
En las siguientes páginas encontrará tanto los rangos de medidas disponibles en cada grupo, así como recomendaciones para la correcta elección tanto de la herramienta como de los datos de corte.

#### Importante!

- \* Usando corte de metal duro colocar el tornillo de ajuste axial en contacto con la guía o broca insertada.
- \* Dejar un espacio entre el filo y la guía o broca para prevenir roturas por impacto accidental.
- \* El tornillo axial también se usa para prolongar la vida de las brocas tras reafilarlas.



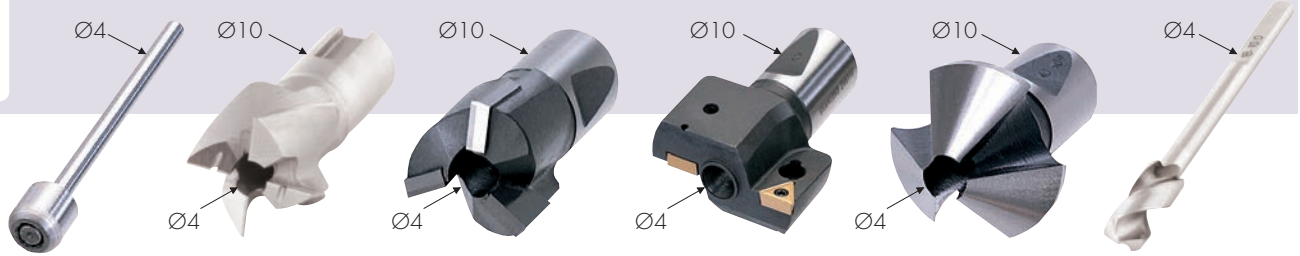
### DIMENSIONES DE GUÍA, PORTA Y BROCA



GUÍA			PORTAS				AVELLANADOR				BROCA						
D <sub>2</sub>	L <sub>1</sub>	L <sub>2</sub>	D <sub>3</sub>	D <sub>2</sub>	L <sub>1</sub>	L <sub>2</sub>	D <sub>3</sub>	D <sub>2</sub>	L <sub>1</sub>	L <sub>2</sub>	D <sub>2</sub>	L <sub>1</sub>	L <sub>2</sub>				
mm	mm	mm	mm	mm	mm	mm	mm	mm	mm	mm	mm	mm	mm				
<b>AGP</b>	4	64	9	<b>APAV-MD-PQ</b>	10	4	40	22	<b>AVC</b>	10	4	40	22	<b>ABP</b>	4	70	15
<b>BGP</b>	6	80	14	<b>BPAV-MD-PQ</b>	14	6	48	28	<b>BVC</b>	14	6	48	28	<b>BBP</b>	6	95	25
<b>CGP</b>	10	110	20	<b>CPAV-MD-PQ</b>	22	10	61	33	<b>CVC</b>	22	10	61	33	<b>CBP</b>	10	125	30

**AVELLANADORES CON ELEMENTOS INTERCAMBIABLES PARA ASIENTOS DE TORNILLOS CON CABEZA "ALLEN" Y CÓNICA**

**SERIE A**

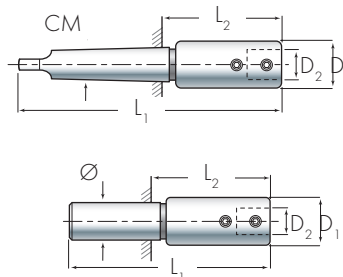


GUÍA		PORTA		PORTA		PLAQUITA INTERCAMBIABLE		AVELLANADOR		BROCA		
AGP		APAV		APAVMD		APAVPQ		AVC		ABP		
€	HSS €	MD €	Plaquita no incluida	PMD €	90° HSS €	HSS €						
										ABP0430	78,48	
										ABP0450	78,48	
										ABP0500	78,48	
										ABP0530	78,48	
										ABP0550	78,48	
AGP0400	45,28									ABP0600	92,24	
AGP0450	54,00	APAV0700	138,20						AVC0800	180,12	ABP0640	92,24
AGP0550	54,00	APAV0800	136,53								ABP0650	92,24
AGP0600	54,00	APAV0900	136,53									
AGP0650	54,00	APAV1000	132,16	APAVMD1000	388,14				AVC1000	180,12		
AGP0640	54,00											
AGP0660	54,00	APAV1100	136,53	APAVMD1100	388,14				AVC1200	182,81	ABP0660	92,24
AGP0500	54,00										ABP0700	92,24
		APAV1150	150,96									
		APAV1200	138,20	APAVMD1200	388,14				AVC1150	176,78		
		APAV1250	153,30						AVC1240	184,93		
		APAV1300	150,63	APAVMD1300	388,14							
		APAV1350	173,43						AVC1350	184,93		
		APAV1400	150,63	APAVMD1400	391,81				AVC1400	198,25		
		APAV1450	173,77									
AGP0840	54,69											
AGP0900	54,69	APAV1500	152,30	APAVMD1500	396,17				AVC1500	199,91		
AGP0680	54,00											
AGP0700	54,00	APAV1600	161,00	APAVMD1600	405,24				AVC1600	200,93		
AGP0750	54,00	APAV1700	164,07	APAVMD1700	413,97				AVC1650	195,58		
AGP0800	54,69	APAV1800	168,38	APAVMD1800	422,66	APAVPQ1800	882,90					
AGP0850	54,69	APAV1900	179,15	APAVMD1900	441,78							
AGP0900	54,69	APAV2000	185,51	APAVMD2000	451,19	APAVPQ2000	989,59					
AGP0950	54,69	APAV2100	202,29	APAVMD2100	472,63							
AGP1000	54,69											
AGP1050	54,69											
AGP1100	54,69											
AGP1150	54,69											

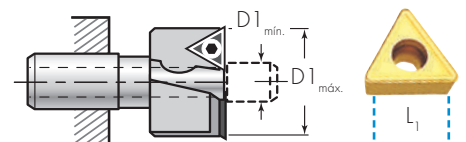
**ADAPTADORES**



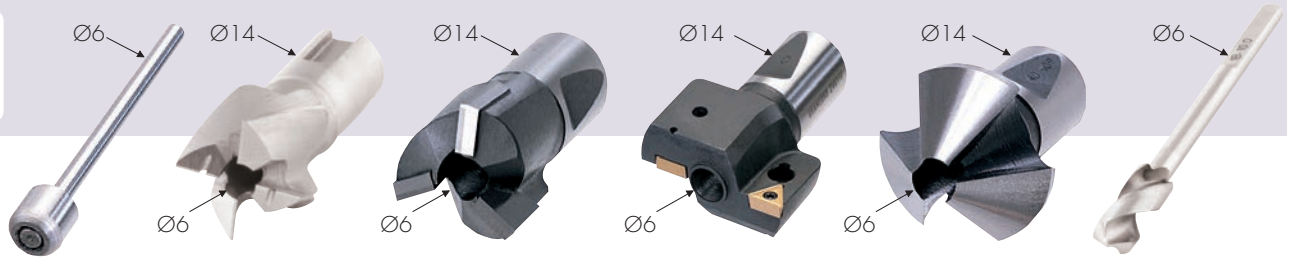
APH						
	D1 mm	D2 mm	L1 mm	L2 mm	CM Ømm	€
APHCM1	18	10	110	48	CM1	323,70
APHCM2	18	10	132	57	CM2	317,67
APH-10	18	10	92	42	Ø10	302,57



**PLAQUITAS DE REPUESTO**



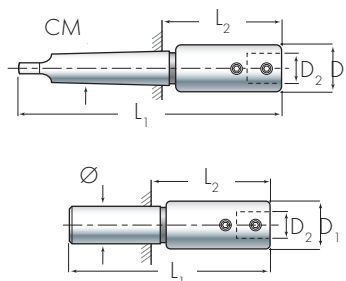
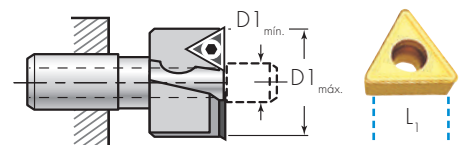
PPQ				
	L1 mm	D1 min. Ømm	D1 max. Ømm	€
PPQ07	7	18	20	33,55

**AVELLANADORES CON ELEMENTOS INTERCAMBIABLES PARA  
 ASIENTOS DE TORNILLOS CON CABEZA "ALLEN" Y CÓNICA**
**SERIE  
 B**


GUÍA		PORTA		PORTA		PLAQUITA INTERCAMBIABLE		AVELLANADOR		BROCA	
BGP		BPAV		BPAVMD		BPAVPQ		BVC		BBP	
€	HSS	€	MD	€	Plaquita no incluida	PMD	90°	HSS	€	HSS	€
		BPAV1300	152,97	BPAVMD1300	413,97						
		BPAV1350	172,74								
		BPAV1400	152,97	BPAVMD1400	413,97						
		BPAV1450	172,74								
BGP0840	50,99									BBP0800	109,70
BGP0900	50,99	BPAV1500	152,97	BPAVMD1500	413,97			BVC15	189,87	BBP0900	109,70
BGP0680	50,99										
BGP0800	50,99										
BGP1000	50,99	BPAV1550	175,10								
BGP1150	54,00	BPAV1600	161,37	BPAVMD1600	429,37					BBP0840	109,70
BGP1250	56,02	BPAV1650	187,17							BBP0850	109,70
BGP1350	61,72	BPAV1700	168,05	BPAVMD1700	429,37					BBP0950	109,70
BGP1450	62,38	BPAV1750	188,50							BBP1000	125,12
		BPAV1900	193,89	BPAVMD1900	433,09					BBP1050	125,12
BGP1050	54,00										
BGP1100	54,00	BPAV1800	174,44	BPAVMD1800	433,09			BVC20	214,68	BBP1100	125,12
BGP0850	50,99										
BGP1300	61,72										
BGP1400	62,38	BPAV2000	193,89	BPAVMD2000	446,49	BPAVPQ2000	883,64	BVC25	223,43		
BGP1020	54,00										
BGP1500	62,38										
BGP1550	62,38	BPAV2400	229,13	BPAVMD2400	474,34	BPAVPQ2400	884,78	BVC28	259,97		
BGP1200	54,00										
BGP1700	62,38										
BGP1750	62,38	BPAV2600	244,87	BPAVMD2600	477,02	BPAVPQ2600	1.014,46	BVC30	265,69		
BGP1400	62,38										
BGP1900	63,73										
BGP2000	79,50	BPAV3000	330,75	BPAVMD3000	520,30	BPAVPQ3000	1.014,46				
		BPAV3400	391,12	BPAVMD3400	600,08	BPAVPQ3400	1.170,92				

**ADAPTADORES**

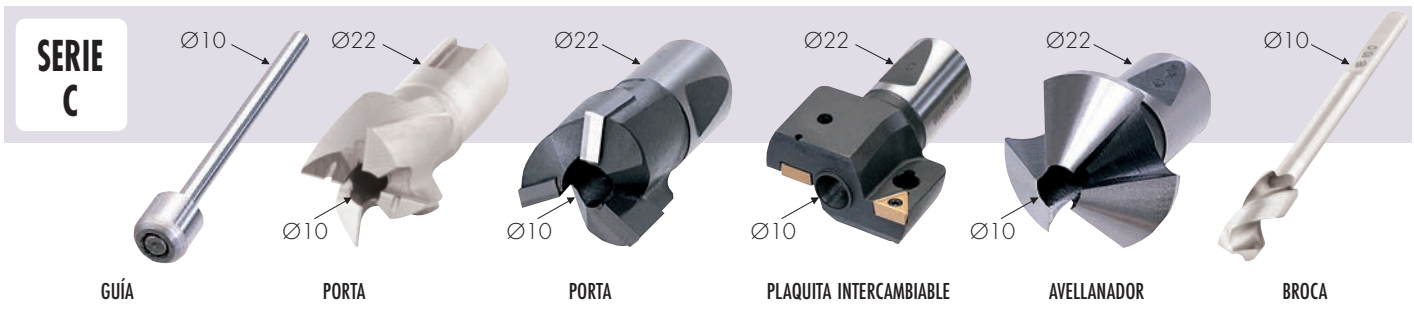

	D <sub>1</sub> mm	D <sub>2</sub> mm	L <sub>1</sub> mm	L <sub>2</sub> mm	CM Ømm	BPH
						€
BPHCM1	24	14	123	62	CM1	358,95
BPHCM2	24	14	137	62	CM2	327,74
BPHCM3	24	14	160	66	CM3	358,95
BPH-12	24	14	120	55	Ø12	324,03


**PLAQUITAS DE REPUESTO**


	L <sub>1</sub> mm	D <sub>1</sub> min. Ømm	D <sub>1</sub> máx. Ømm	PPQ
				€
PPQ07	7	20	25	33,55
PPQ10	10	26	33	30,20
PPQ12	12	34	36	30,20



**AVELLANADORES CON ELEMENTOS INTERCAMBIABLES PARA ASIENTOS DE TORNILLOS CON CABEZA "ALLEN" Y CÓNICA**

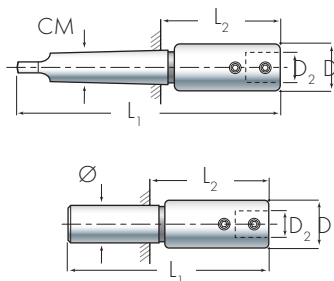


CGP		CPAV		CPAVMD		CPAVPQ		CVC		CBP	
€	HSS €	MD €	Plaquita no incluida	PMD €	90° HSS €	HSS €					
CGP1200	58,03	CPAV2300	277,75	CPAVMD2300	517,59						
CGP1250	58,03	CPAV2400	281,42	CPAVMD2400	512,22						
CGP1300	58,03	CPAV2500	304,27	CPAVMD2500	513,24						
CGP1350	58,03	CPAV2600	310,30	CPAVMD2600	527,33						
CGP1400	68,10	CPAV2700	314,65								
CGP1450	68,10	CPAV2800	320,69	CPAVMD2800	532,36					CBP1700	274,08
CGP1500	68,10	CPAV2900	328,40							CBP1800	308,94
CGP1600	68,10	CPAV3100	356,92							CBP1900	324,03
CGP1650	68,10	CPAV3200	368,66	CPAVMD3200	581,33					CBP2100	351,23
CGP1700	68,10	CPAV3300	372,00							CBP2300	422,66
CGP1900	68,10										
CGP2000	68,10	CPAV3000	332,75	CPAVMD3000	587,04			CVC35	387,44	CBP2000	351,23
CGP1550	68,10										
CGP2100	75,82										
CGP2200	75,82	CPAV3400	375,73	CPAVMD3400	623,94	CPAVPQ3400	1.210,86	CVC37	409,92	CBP2200	391,81
CGP1750	68,10										
CGP1850	68,10	CPAV3500	393,49								
CGP2300	75,82										
CGP2400	75,82	CPAV3600	398,19	CPAVMD3600	641,04	CPAVPQ3600	1.210,86	CVC37	409,92	CBP2400	431,75
CGP1950	68,10										
CGP2500	75,82										
CGP2600	93,24	CPAV4000	462,26	CPAVMD4000	710,14	CPAVPQ4000	1.238,76	CVC40	435,75		
CGP2100	75,82										
CGP2200	75,82	CPAV4500	570,27			CPAVPQ4500	1.261,38				
CGP2050	75,82	CPAV5000	828,23			CPAVPQ5000	1.475,89				
		CPAV5500	872,50			CPAVPQ5500	1.743,16				
		CPAV6000	919,46			CPAVPQ6000	1.743,16				
		CPAV6500	1.034,20			CPAVPQ6500	1.993,47				

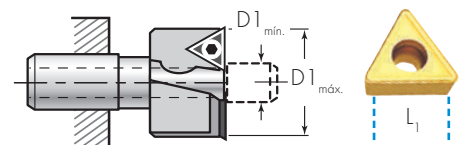
**ADAPTADORES**



	D1 mm	D2 mm	L1 mm	L2 mm	CM Ømm	CPH €
CPHCM2	36	22	160	85	CM2	472,63
CPHCM3	36	22	180	87	CM3	446,49
CPHCM4	36	22	206	89	CM4	500,49
CPHCM5	36	22	240	91	CM5	1.101,30
CPH-12	36	22	140	71	Ø20	324,03



**PLAQUITAS DE REPUESTO**



	L1 mm	D1 min. Ømm	D1 máx. Ømm	PPQ €
PPQ12	12	34	45	30,20
PPQ17	17	<46		46,80

**ESTUCHES DE AVELLANADORES**
**ESTUCHES DE BROCAS AVELLANADORAS PARA TUBO Y CHAPA HSS Y HSSCO**
**HSS**


(Brocas Ref. AV30)

REFERENCIA	<b>AV30BM012</b>	
Nº PIEZAS	3	
CALIDAD	HSS	
CONTENIDO	AV30BM0 - AV30BM1 - AV30BM2 (3-14mm) (6-20mm) (16-30mm)	
P.V.P. €	HSS	115,47
€	HSS <b>TiN</b>	219,14


**HSSCo**


(Brocas Ref. AVC30)

REFERENCIA	<b>AVC30BM012</b>	
Nº PIEZAS	3	
CALIDAD	HSSCo	
CONTENIDO	AVC30BM0 - AVC30BM1 - AVC30BM2 (3-14mm) (6-20mm) (16-30mm)	
P.V.P. €	HSS Co	166,34
€	HSS Co <b>TiN</b>	234,33


**ESTUCHE DE BROCAS ESCALONADAS HELICOIDALES HSS**
**HSS**


(Brocas Ref. AV42)

REFERENCIA	<b>AV42BM234</b>	
Nº PIEZAS	3	
CALIDAD	HSS	
CONTENIDO	AV42BM2 - AV42BM3 - AV42BM4	
P.V.P. €	HSS	317,53
€	HSS <b>TiN</b>	397,93



**ESTUCHES DE AVELLANADORES**

**ESTUCHES DE BROCAS ESCALONADAS CON CANALES RECTOS HSS**

**HSS**



AV40BM2 AV40BM3 AV40BM4 AV40BM5 AV40BM13



(Brocas Ref. AV40)

REFERENCIA	PAV40BM234	PAV40BM235	PAV40BM2313
Nº PIEZAS	3	3	3
CONTENIDO	AV40BM2 - AV40BM3 - AV40BM4 (4-12mm) (4-20mm) (4-30mm)	AV40BM2 - AV40BM3 - AV40BM5 (4-12mm) (4-20mm) (6-38mm)	AV40BM2 - AV40BM3 - AV40BM13 (4-12mm) (4-20mm) (6-40mm)
P.V.P. €	186,80	232,75	286,06
€	HSS <b>TiN</b>	HSS <b>TiN</b>	HSS <b>TiN</b>
	305,67	347,55	416,77



(Brocas Ref. AV40)

REFERENCIA	AV40BM234	AV40BM22122
Nº PIEZAS	3	3
CONTENIDO	AV40BM2 - AV40BM3 - AV40BM4 (4-12mm) (4-20mm) (4-30mm)	AV40BM2 - AV40BM21 - AV40BM22 (4-12mm) (7+10-20mm) (10+20-30mm)
P.V.P. €	186,80	278,70
€	HSS <b>TiN</b>	HSS <b>TiN</b>
	305,67	403,89

(Brocas Ref. AVC40)

REFERENCIA	AVC40BM234
Nº PIEZAS	3
CONTENIDO	AVC40BM2 - AVC40BM3 - AVC40BM4 (4-12mm) (4-20mm) (4-30mm)
P.V.P. €	291,82
€	HSS Co <b>TiN</b>
	402,89

**ESTUCHES DE AVELLANADORES**

HSS



90°

DIN  
335C

(Avellanadores Ref. AV6)

REFERENCIA	AV6CM1	AV6CM2	AV6CM3	PAV6CM2
Nº PIEZAS	6	6	7	6
CONTENIDO	Ø 6 - 8 - 10 - 11,5 - 15 - 19 mm	Ø 6,3 - 8,3 - 10,4 - 12,4 - 16,5 - 20,5 mm	Ø 6,3 - 8,3 - 10,4 - 12,4 - 16,5 - 20,5 - 25 mm	Ø 6,3 - 8,3 - 10,4 - 12,4 - 16,5 - 20,5 mm
P.V.P. €	154,90	135,69	228,38	135,69

HSSCo



90°

DIN  
335C

(Avellanadores Ref. AV7)

REFERENCIA	AV7CM1	AV7CM2	AV7CM3	PAV7CM2
Nº PIEZAS	6	6	7	6
CONTENIDO	Ø 6 - 8 - 10 - 11,5 - 15 - 19 mm	Ø 6,3 - 8,3 - 10,4 - 12,4 - 16,5 - 20,5 mm	Ø 6,3 - 8,3 - 10,4 - 12,4 - 16,5 - 20,5 - 25 mm	Ø 6,3 - 8,3 - 10,4 - 12,4 - 16,5 - 20,5 mm
P.V.P. €	162,45	162,04	248,65	162,04

HSS

TiN



90°

DIN  
335C

(Avellanadores Ref. AV16)

REFERENCIA	AV16CM1	AV16CM2	AV16CM3
Nº PIEZAS	6	6	7
CONTENIDO	Ø 6 - 8 - 10 - 11,5 - 15 - 19 mm	Ø 6,3 - 8,3 - 10,4 - 12,4 - 16,5 - 20,5 mm	Ø 6,3 - 8,3 - 10,4 - 12,4 - 16,5 - 20,5 - 25 mm
P.V.P. €	282,86	288,76	403,03

HSS



60°

DIN  
334C

(Avellanadores Ref. AV8)

REFERENCIA	AV8CM2	AV8CM3
Nº PIEZAS	6	7
CONTENIDO	Ø 6,3 - 8 - 10 - 12,5 - 16 - 20 mm	Ø 6,3 - 8 - 10 - 12,5 - 16 - 20 - 25 mm
P.V.P. €	211,13	272,95

\* Otros estuches bajo demanda AV99, etc.

**ESTUCHES METÁLICOS DE AVELLANADORES**


**HSS**  **NORMA CELESA**



(Avellanadores Ref. AV9)

REFERENCIA	AV9CM1	AV9CM5
Nº PIEZAS	6	7
CONTENIDO	Ø 6,3 - 8,3 - 10,4 - 12,4 - 16,5 - 20,5 mm	Ø 6,3 - 8,3 - 10,4 - 12,4 - 16,5 - 20,5 - 25 mm
P.V.P. €	215,94	279,44



**HSS**  **NORMA CELESA**



(Avellanadores Ref. AV10)

REFERENCIA	AV10CM1	AV10CM6
Nº PIEZAS	6	7
CONTENIDO	Ø 6,3 - 8,3 - 10,4 - 12,4 - 16,5 - 20,5 mm	Ø 6,3 - 8,3 - 10,4 - 12,4 - 16,5 - 20,5 - 25 mm
P.V.P. €	242,94	300,72



\* Otros estuches bajo demanda AV99, etc.

**ESTUCHES DE AVELLANADORES PARA DESBARBAR CON AGUJERO DE 90º HSS Y HSSCO**

 **90º**

**HSS**

(Avellanadores Ref. AV1)

REFERENCIA	AV1S2*
Nº PIEZAS	5
CONTENIDO	Ø 10 - 14 - 20 - 27 - 30 mm
P.V.P. €	305,53*

**HSSCo**

(Avellanadores Ref. AV2)

REFERENCIA	AV2S2*
Nº PIEZAS	5
CONTENIDO	Ø 10 - 14 - 20 - 27 - 30 mm
P.V.P. €	384,57*
€ HSS Co	384,57*
€ HSS Co <b>TiN</b>	513,48*

\*Hasta fin de existencias

**ESTUCHES DE AVELLANADORES PARA ASIENTOS DE TORNILLOS "ALLEN" AJUSTE FINO, MEDIO Y AGUJERO ROSCADO**

**HSS** **DIN 373**

**FINO**

**MEDIO**

**AGUJERO ROSCADO**

(Avellanadores Ref. AV2M)

(Avellanadores Ref. AV2MM)

(Avellanadores Ref. AV2GM)

REFERENCIA	AV2M3-10	AV2M3-10M	AV2M3-10G
Nº PIEZAS	6		
CONTENIDO	M3 - M4 - M5 - M6 - M8 - M10		
P.V.P. €	182,38	197,45	197,45

REFERENCIA	AV2M3-12	AV2M3-12M	AV2M3-12G
Nº PIEZAS	7		
CONTENIDO	M3 - M4 - M5 - M6 - M8 - M10 - M12		
P.V.P. €	234,23	253,56	253,56



Ref. AV2M3-10

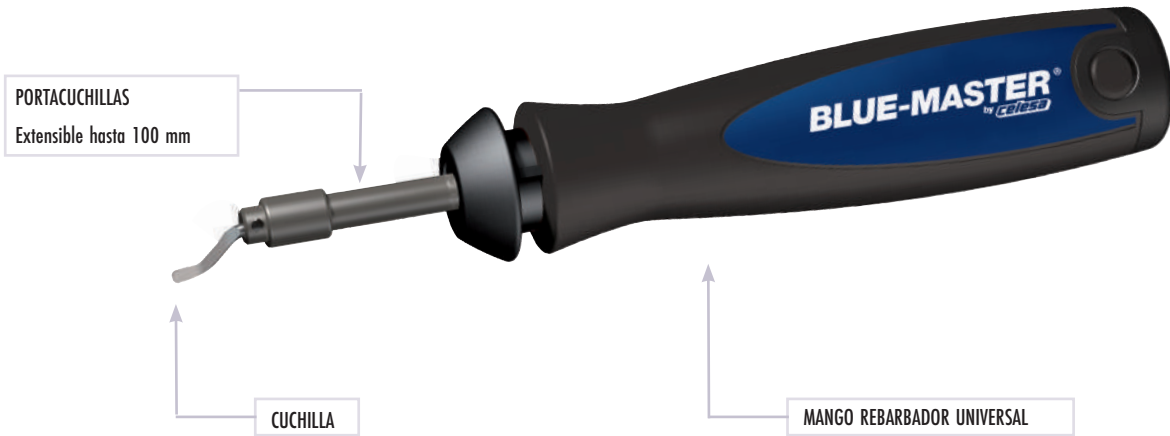
## REBARBADORES DE PRECIÓN

### LOS REBARBADORES BLUEMASTER

Los rebarbadores BLUEMASTER se emplean para eliminar las virutas acumuladas en bordes y aristas de piezas fabricadas en metal, plástico o madera.

El sistema se completa ensamblando los tres componentes señalados: CUCHILLA + PORTACUCHILLAS + MANGO UNIVERSAL

El mango puede ser utilizado con todos los grupos de cuchillas, intercambiando oportunamente el portacuchillas para cada uno de ellos.



#### CONJUNTO B

JRB1

Contenido B:

Ref. RB10



Ref. RBB1



Ref. RB20



Ref. RBB



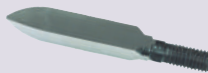
Blister: 32,65 €

#### CONJUNTO C

JRB2

Contenido C:

Ref. RC42



Ref. RBB1



Ref. RBC



Blister: 59,46 €

#### CONJUNTO D

JRB3

Contenido D:

Ref. RD80MD



Ref. RBB1



Ref. RBD



Blister: 93,73 €

#### CONJUNTO E

JRB4

Contenido E:

Ref. RE10



Ref. RBB1



Ref. RE20



Ref. RBE



Ref. RE30



Blister: 36,36 €



**REBARBADORES DE PRECISIÓN**

**GRUPO B**

PORTACUCHILLAS GRUPO B

Ø2,6mm



Para cuchillas rebarbadoras Grupo B

RBB

11,46 €

CUCHILLAS GRUPO B

Cuchilla rebarbadora  
Serie corta: acero, aluminio, plástico



RB10\*

Blister 10 U.: 2,12 €/U.



Cuchilla punzonadora de Metal Duro

RB50\*

Blister 1 U.: 37,72 €

Cuchilla rebarbadora Bidireccional Serie corta: latón, fundición



RB20

Blister 10 U.: 2,12 €/U.



Cuchilla rebarbadora para parte posterior de un taladro de hasta 20 mm de profundidad

RB60\*

Blister 10 U.: 5,01 €/Ud

Cuchilla rebarbadora doble arista agujeros de 4 mm de profundidad



RB30

Blister 10 U.: 2,12 €/Ud



Cuchilla rebarbadora de aristas exteriores

RB70MD\*

Blister 1 U.: 42,91 €

\*Hasta fin de existencia

**GRUPO C**

PORTACUCHILLAS GRUPO C



Para cuchillas rebarbadoras Grupo C

RBC

Blister 1 U.: 11,46 €

CUCHILLAS GRUPO C



Cuchilla rasqueta ancho 4 x 20 mm

RC40\*

Blister 1 U.: 23,36 €



Cuchilla rasqueta ancho 8 x 30 mm

RC42\*

Blister 1 U.: 29,06 €

\*Hasta fin de existencia

**GRUPO D**

PORTACUCHILLAS GRUPO D



Para cuchillas rebarbadoras Grupo D

RBD

Blister 1 U.: 11,46 €

CUCHILLAS GRUPO D



Cuchilla rebarbadora de metal duro en "V" Hembra cantos hasta 3 mm

RD80MD\*

Blister 1 U.: 61,07 €



Cuchilla rebarbadora de Metal Duro en "V" Hembra cantos hasta 8 mm

RD82MD\*

Blister 1 U.: 95,74 €

\*Hasta fin de existencia

**MANGO REBARBADOR UNIVERSAL**

Usos generales.  
Válido para portacuchillas:  
Ref. RBB / RBC / RBD / RBE / RBF



**RBB1**  
Blister 1 ud.: **15,06 €**

**REBARBADORES DE PRECIÓN**

**GRUPO E**

**PORTACUCHILLAS GRUPO E**



Para cuchillas rebarbadoras Grupo E

**RBE**  
Blister 1 ud.: **11,46 €**

**CUCHILLAS GRUPO E**



Cuchilla rebarbadora para interiores y exteriores  
Serie larga: acero, aluminio, plástico

**RE10**  
Blister 10 ud.: **2,59 €**/Ud



Cuchilla rebarbadora para cantos rectos: chaveteros,...

**RE35**  
Blister 10 ud.: **2,78 €**/Ud



Cuchilla rebarbadora bidireccional  
Serie larga: latón, fundición

**RE20**  
Blister 10 ud.: **2,59 €**/Ud



Cuchilla rebarbadora cerrada doble arista para agujeros de 4 mm de profundidad

**RE30**  
Blister 10 ud.: **2,59 €**/Ud



Cuchilla rebarbadora para la parte posterior de un taladro de hasta 20 mm de profundidad

**RE60\***  
Blister 5 ud.: **3,64 €**/Ud

\*Hasta fin de existencia

**GRUPO F**

**PORTACUCHILLAS GRUPO F**



Para cuchillas rebarbadoras Grupo F

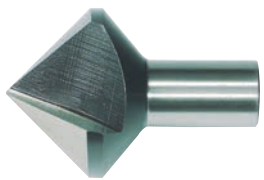
**RBF**  
Blister 1 ud.: **11,46 €**

**CUCHILLAS GRUPO F (Rosca M05 x 0,80)**



Cuchilla avellanadora HSS Ø 12 mm

**RF12**  
Blister 1 ud.: **25,78 €**



Cuchilla avellanadora HSS Ø 30 mm

**RF30**  
Blister 1 ud.: **86,14 €**



Cuchilla avellanadora HSS Ø 20 mm

**RF20**  
Blister 1 ud.: **49,83 €**